



***GAS CONVECTION OVENS***  
***MODELS: MCO-GS-10 & MCO-GD-10***

**PARTS LIST**

Toll Free Phone, (US & Canada): (800) 427-6668

Toll Free Fax, (US & Canada): (800) 361-7745

<http://www.garland-group.com>

## Explanation of Serial Number Identification

Sample : 9601CJ0001

96 = Year built  
(first two characters)

93	=	1993
94	=	1994
95	=	1995
96	=	1996
97	=	1997
98	=	1998
99	=	1999
00	=	2000
01	=	2001

01 = Month built  
(second two characters)

01	=	January
02	=	February
03	=	March
04	=	April
05	=	May
06	=	June
07	=	July
08	=	August
09	=	September
10	=	October
11	=	November
12	=	December

CJ = manufacturers item class for  
Convection Oven (ALPHA characters)

0001 = sequential number of units built that  
month.  
( running number from 0001 to 9999 )

## Explanation of Model Number

From Models up to Serial Number 0003CJ9999

Sample:  $\frac{M \ C \ O - \ G \ S - \ 10 \ E}{1 \ 2 \ 3 \ 4 \ 5 \ 6 \ 7}$

Position:

- 1 - M - Master
- 2 - C - Convection
- 3 - O - Oven
- 4 - G - Gas, E- Electric Unit
- 5 - S - Standard Depth,  
(D - Deep)
- 6 - 10 - Single Deck ,  
(20 - Stacked)
- 7- E- Electronic Control Panel  
(M-Manual Controls, A-Indendent  
doors and Manual controls)

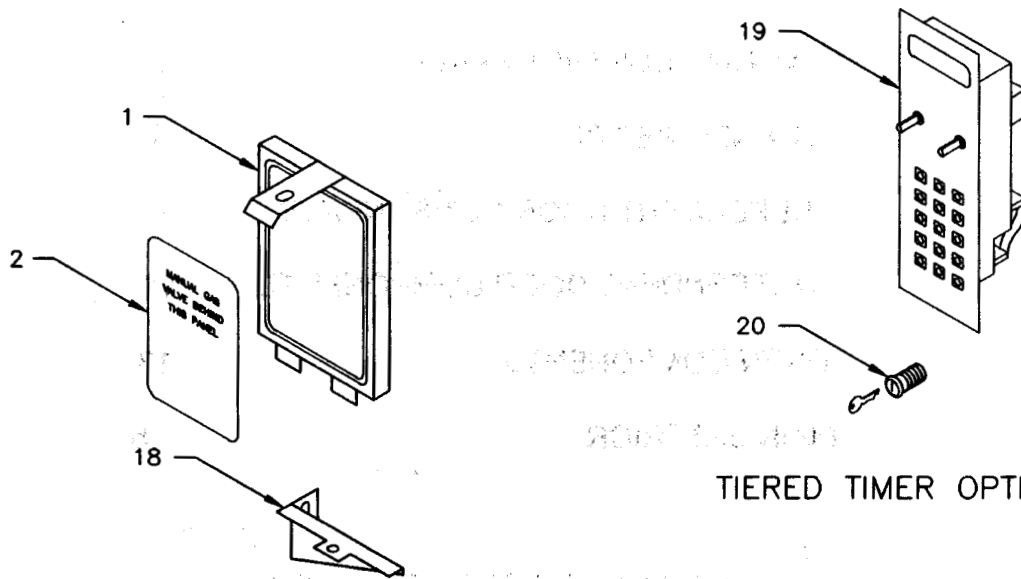


# ***GAS CONVECTION OVENS***

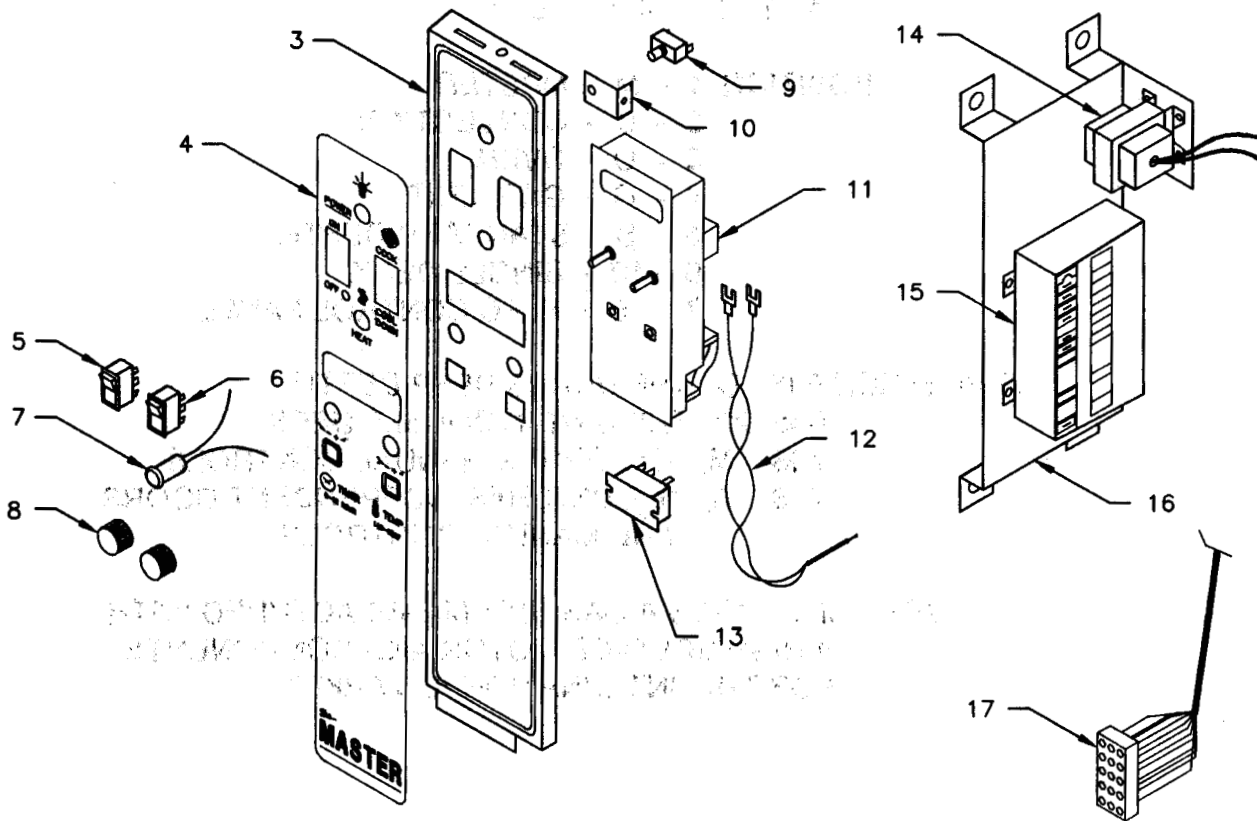
## ***MODELS: MCO-GS-10 & MCO-GD-10***

### ***Contents:***

Electronic Control Panel .....	Page 4
Manual Control Panel .....	Page 6
Burner Section.....	Page 8
Dependent Door Components.....	Page 10
Independent Door Components .....	Page 12
Oven Components.....	Page 14
Main Exterior .....	Page 16
Revision History .....	Page 18



TIERED TIMER OPTION



PS95-22 REV. 0

## GARLAND PARTS IDENTIFICATION

### Electronic Control Panel Components

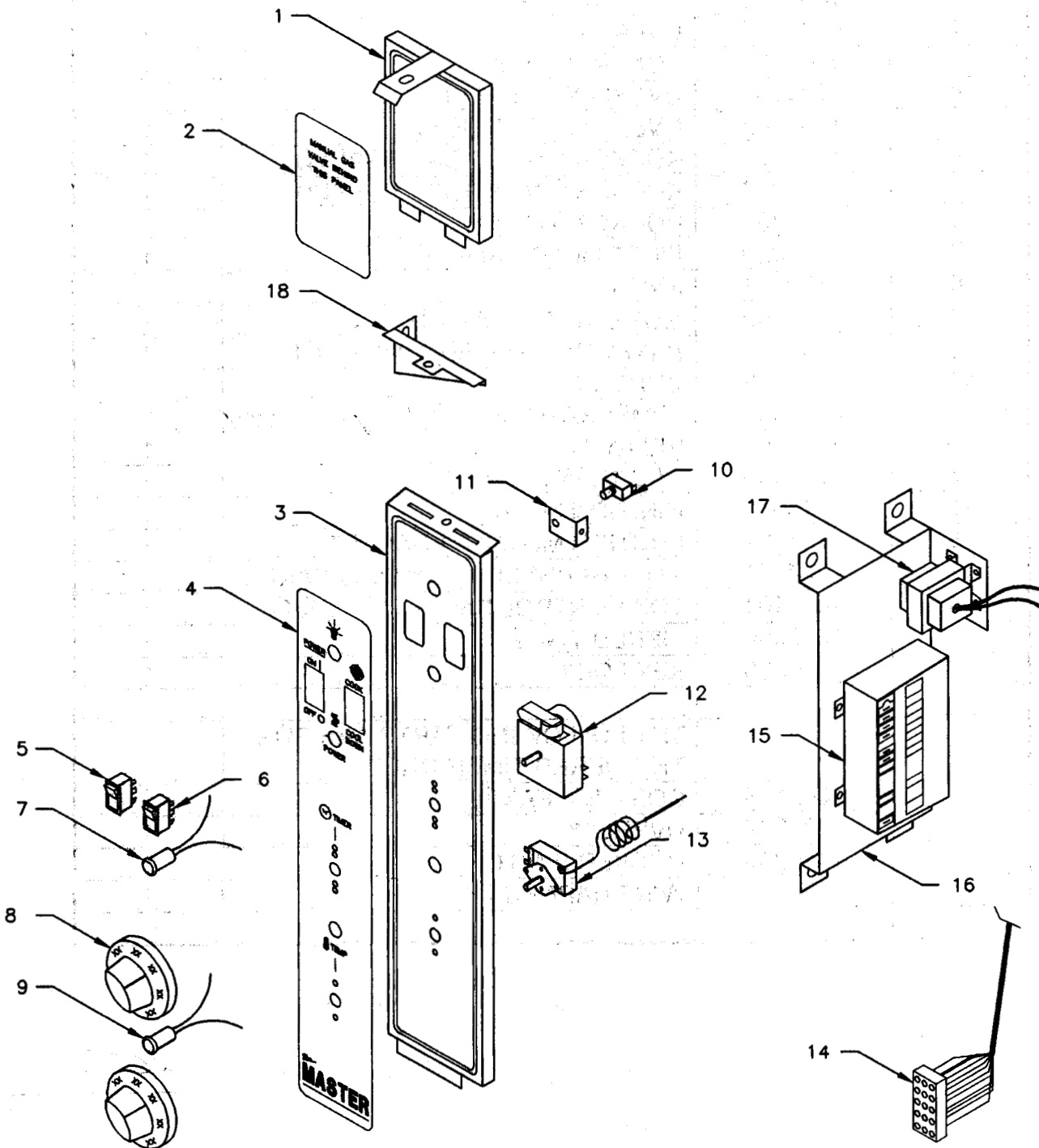
ITEM	PART #	DESCRIPTION	QUANTITY	DATE	
				FROM	UP TO
1	1802599	Control Panel Top	1		
2	1789605	Overlay	1		
3	1802597	Control Panel	1		
4	1789601	Overlay - 2 Speed	1		
	1789602	Overlay - 1 Speed	1		
5	1019207	Rocker Sw - 3 Pos - 2 Speed	1		
	1019203	Rocker Sw - 2 Pos - 1 Speed	1		
6	1019209	Rocker Switch	1		
7	1270000	Pilot Light Amber	1		
8	1720501	Knobs	2		
9	1181000	Momentary Switch	1		
10	1749201	Panel Restraining Bracket	1		
11	1517706	Control	1		
12	9006800	Temperature Probe	1		Unknown
	1842901	Temperature Probe	1	Unknown	
13	1771601	Relay 120V 2 Pole	1		
14	1269800	24V Transformer	1		
15	1815001	Ignition Module	1		
16	1787301	Ignition Module Bracket	1		
17	1804701	Wire Harness - Control Panel	1		
18	1802101	Top Control Panel Mtg Brkt	1		
19	1665200	Tired Timer	1		
20	1516600	Key Lock	1		

#### The Following Parts Are For The Tiered Timer Only

3	1802598	Control Panel	1		
4	1789607	Overlay	1		
5	1019203	Rocker Switch	1		
17	1804706	Wire Harness	1		

\* NOT ILLUSTRATED

#### **RECOMMENDED STOCK PARTS**



PS95-21 REV, 0

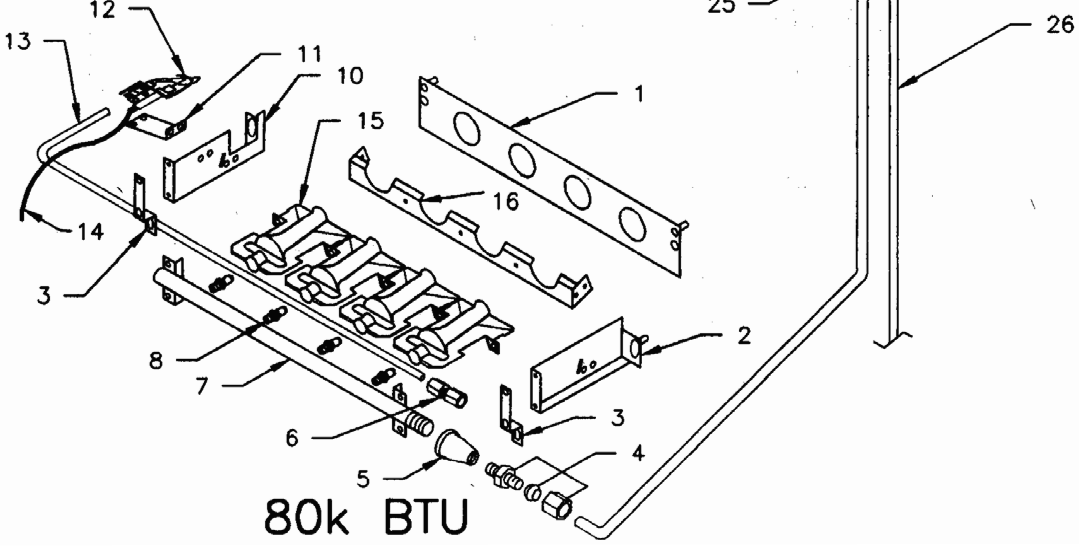
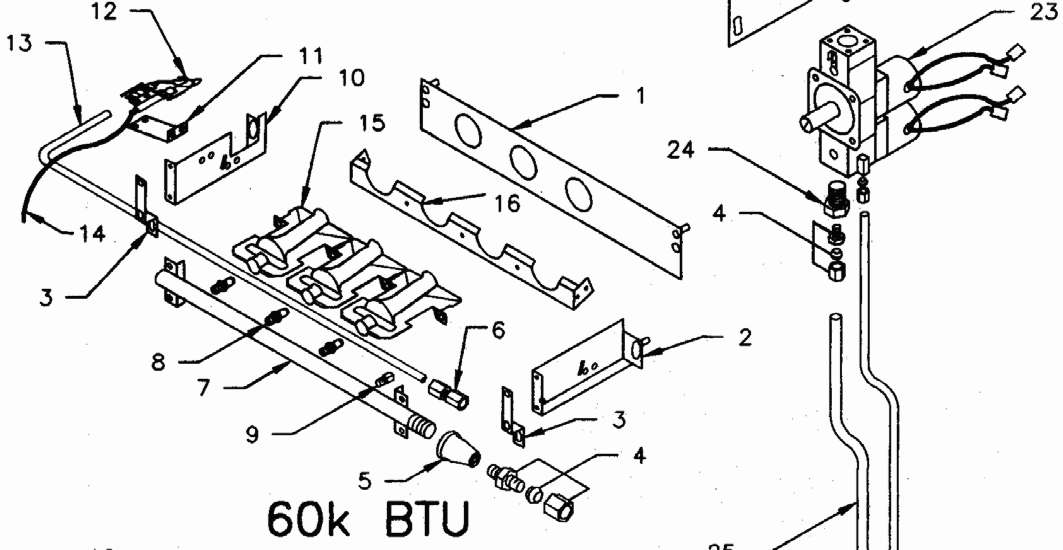
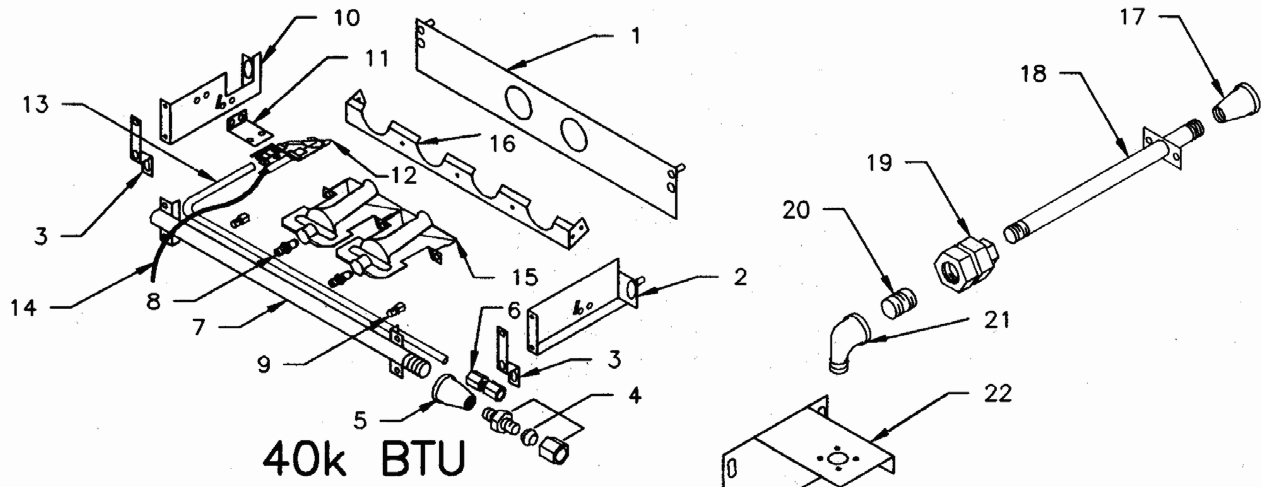
## GARLAND PARTS IDENTIFICATION

### Manual Control Panel

ITEM	PART #	DESCRIPTION	QUANTITY
1	1802599	Control Panel Top	1
2	1789605	Overlay	1
3	1802504	Control Panel	1
4	1789603	Overlay - 2 Speed	1
	1789604	Overlay - 1 Speed	1
5	1019207	Rocker Sw - 3 Pos - 2 Speed	1
	1019209	Rocker Sw - 2 Pos - 1 Speed	1
6	1019209	Rocker Switch - 2 Position	1
7	1270000	Amber Pilot Light 28 V	1
8	1314001	Dial	2
	1314117	Insert - Thermostat	1
	1314134	Insert - Timer	1
9	1006493	Pilot Light Green 240V - Export	1
10	1181000	Momentary Switch	1
11	1749201	Panel Bracket	1
12	1285700	Timer - 1 Hour	1
	1285701	Timer -1 Hour - 230V Export	1
13	1032400	Thermostat	1
14	1804704	Control Panel Harness	1
15	1815001	Ignition Module	1
16	1787301	Ignition Module Bracket	1
17	1269800	Transformer 24V	1
18	1802101	Top Control Panel Mounting Bracket	1

\* NOT ILLUSTRATED

#### **RECOMMENDED STOCK PARTS**



PS95-23 REV 0



## GARLAND PARTS IDENTIFICATION

### Burner Section

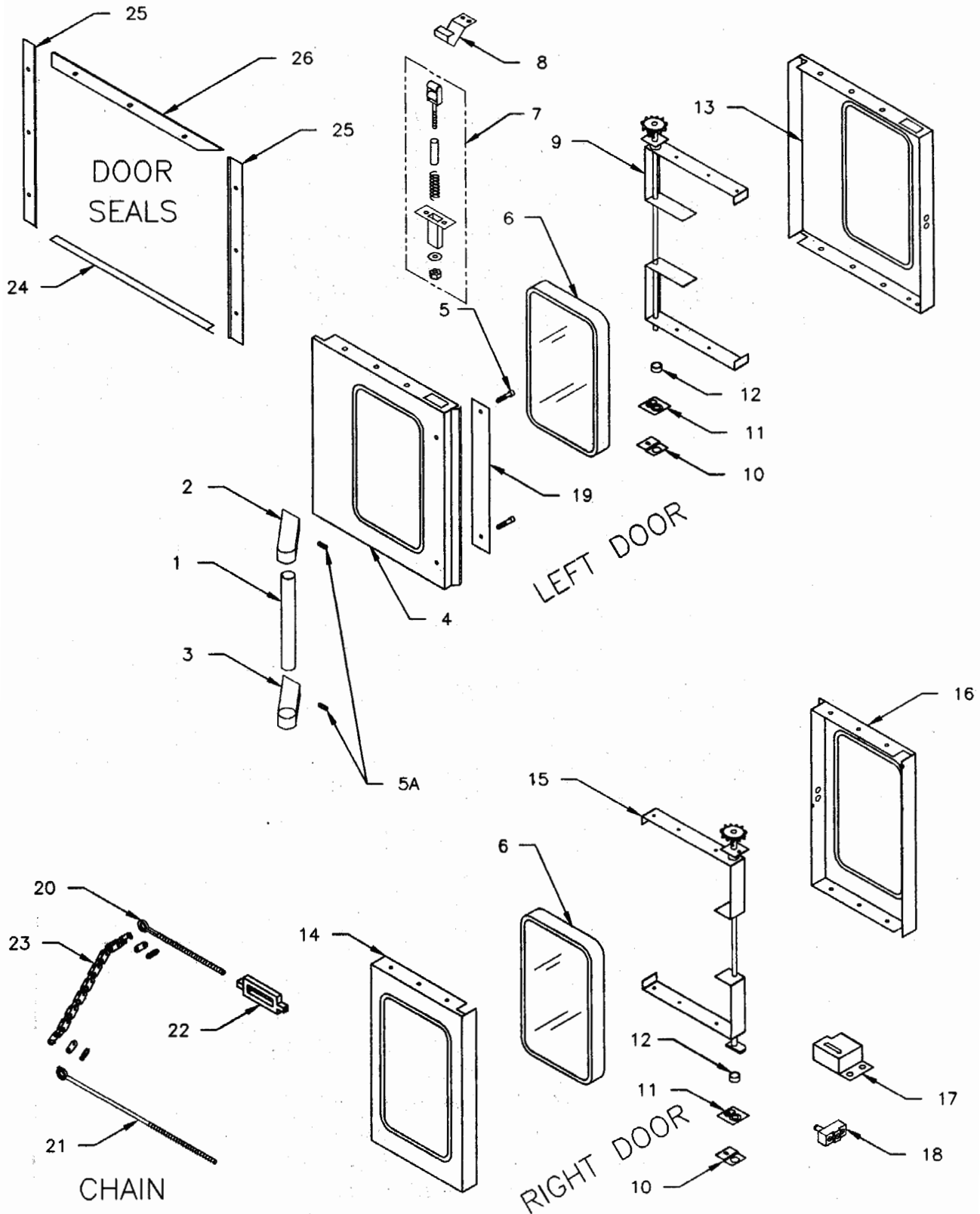
ITEM	PART #	DESCRIPTION	QUANTITY	DATE	
				FROM	UP TO
1	1800901	Venturi Plate 40 K	1		
	1800902	Venturi Plate 60K	1		
	1800903	Venturi Plate 80K	1		
2	1801293	Burner Mounting Bracket	1		
3	1814601	Burner Pkg Mounting Bracket	2		
4	1095499	Straight Connector	2		
5	1004845	Reducer Coupling 1/2 x 3/8	1		
6	1811101	Coupling 1/4CC x 1/4CC	1		
7	1784401	Manifold	1		
8	1804348	Orifice - Natural - 48	As Required		
	1804355	Orifice - Propane - 55	As Required		
9	1007300	Manifold Plug	As Required		
10	1801299	Burner Mtg Brkt Left	1		
11	1801103	Pilot Mtg Brkt - 40K	1		
	1801102	Pilot Mtg Brkt - 60K, 80K	1		
12	1814901	Pilot Natural	1		
	1814902	Pilot Propane	1		
13	1819618	Pilot Tubing - 40K	1		
	1028721	Pilot Tubing - 60K, 80K	1		Unknown
	1824801	Pilot Tubing - 60K, 80K	1	Unknown	
14	1815002	Ignition Cable	1		
15	1803501	Burner	As Required		
16	1786801	Burner Rest	1		
17	1004849	Bell Reducer 3/4 to 1/2	1		
18	1786499	Tailpipe - Standard	1		
	1786498	Tailpipe - Deep	1		
19	1026903	Union 1/2 NPT	1		
20	1004640	Nipple 1-1/8"	1		
21	1026733	Street Elbow 1/2 NPT 90 Deg	1		
22	1785001	Gas Valve Bracket	1		
23	1806501	Gas Valve - Natural	1		
	1806502	Gas Valve - Propane	1		
24	1038401	Hex Seal bushing	1		
25	1810301	Tubing Valve to Manifold	1		
26	1819643	Pilot Tubing to Valve	1		Unknown
	1834701	Pilot Tubing to Valve	1	Unknown	

**Burner Package Assys Includes 1-16 & Item 4 On Page 14 As Well as Restrictors for Items 5-7**

CK4542	40K Burner Package Natural			
CK4543	40K Burner Package Propane			
CK4544	60K Burner Package Natural			
CK4545	60K Burner Package Propane			
CK4546	80K Burner Package Natural			
CK4547	80K Burner Package Propane			

\* NOT ILLUSTRATED

**RECOMMENDED STOCK PARTS**



PS95-25 REV 0

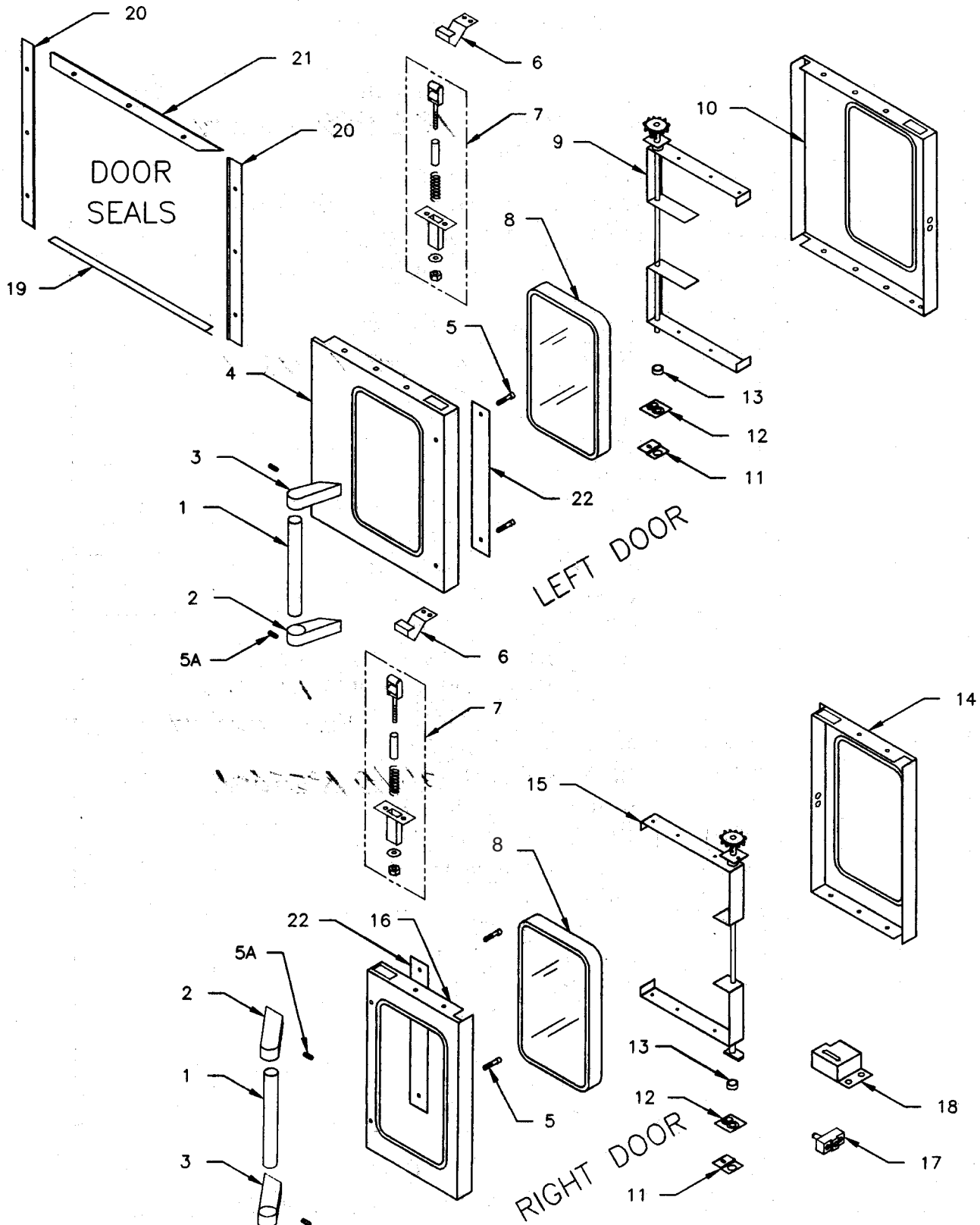
## GARLAND PARTS IDENTIFICATION

### Dependent Door Components

ITEM	PART #	DESCRIPTION	QUANTITY	DATE	
				FROM	UP TO
1	1664802	Door Handle	1		1-Mar-97
	1840999	Door Handle	1	1-Mar-97	
2	1562604	Handle End Top	1		
3	1562605	Handle End Bottom	1		
4	1803703	Left Door Panel With Window	1		
	1803704	Left Door Panel Solid	1		
5	8003406	Hex Head Mach Screw 1/4-20X1	2		
6	1010999	Window	2		
7	1757998	Roller Latch Assembly	1		
8	1810201	Door Catch	1		24-Apr-97
	1841201	Door Catch	1	24-Apr-97	
9	1803797	Left Door Frame	1		
10	1302800	Bearing Retainer	2		
11	1010589	Hinge Brkt Assy W/Bearing	2		
12	1011201	Chrome Spacer	2		
13	1803795	Left Door Liner W/Window	1		
	1803796	Left Door Liner Solid	1		
14	1803712	Right Door Panel - Solid	1		
	1803711	Right Door Panel - W/Window	1		
15	1803799	Right Door Frame - Solid	1		
	1803798	Right Door Frame W/Window	1		
16	1803814	Right Door Liner - Solid	1		Unknown
	1803710	Right Door Liner - Solid	1	Unknown	
	1803791	Right Door Liner - W/Window	1		Unknown
	1803709	Right Door Liner- W/Window	1	Unknown	
17	1805801	Micro Switch Mtg. Brkt	1		
18	1019600	Micro Switch	1		01-Mar-99
	1855601	Micro Switch	1	01-Mar-99	
19	1663201	Handle Back Plate	1		
20	1014201	Left Door Rod (Short)	2		
21	1014200	Right Door Rod (Long)	2		
22	1015000	Turnbuckle	2		
23	1021100	Roller Chain	2		
24	1679301	Bottom Door Seal	1		
25	1679303	Side Door Seal	2		
26	1679302	Top Door Seal	1		
<b>Part Numbers for Door Assemblies</b>					
	1803789	Left With Window Dependent			
	1803784	Right Solid Dependent			
	1803788	Left Solid Dependent			
	1803785	Right With Window Dependent			

\* NOT ILLUSTRATED

**RECOMMENDED STOCK PARTS**



PS95-24 REV 0

## GARLAND PARTS IDENTIFICATION

### Independent Door Components

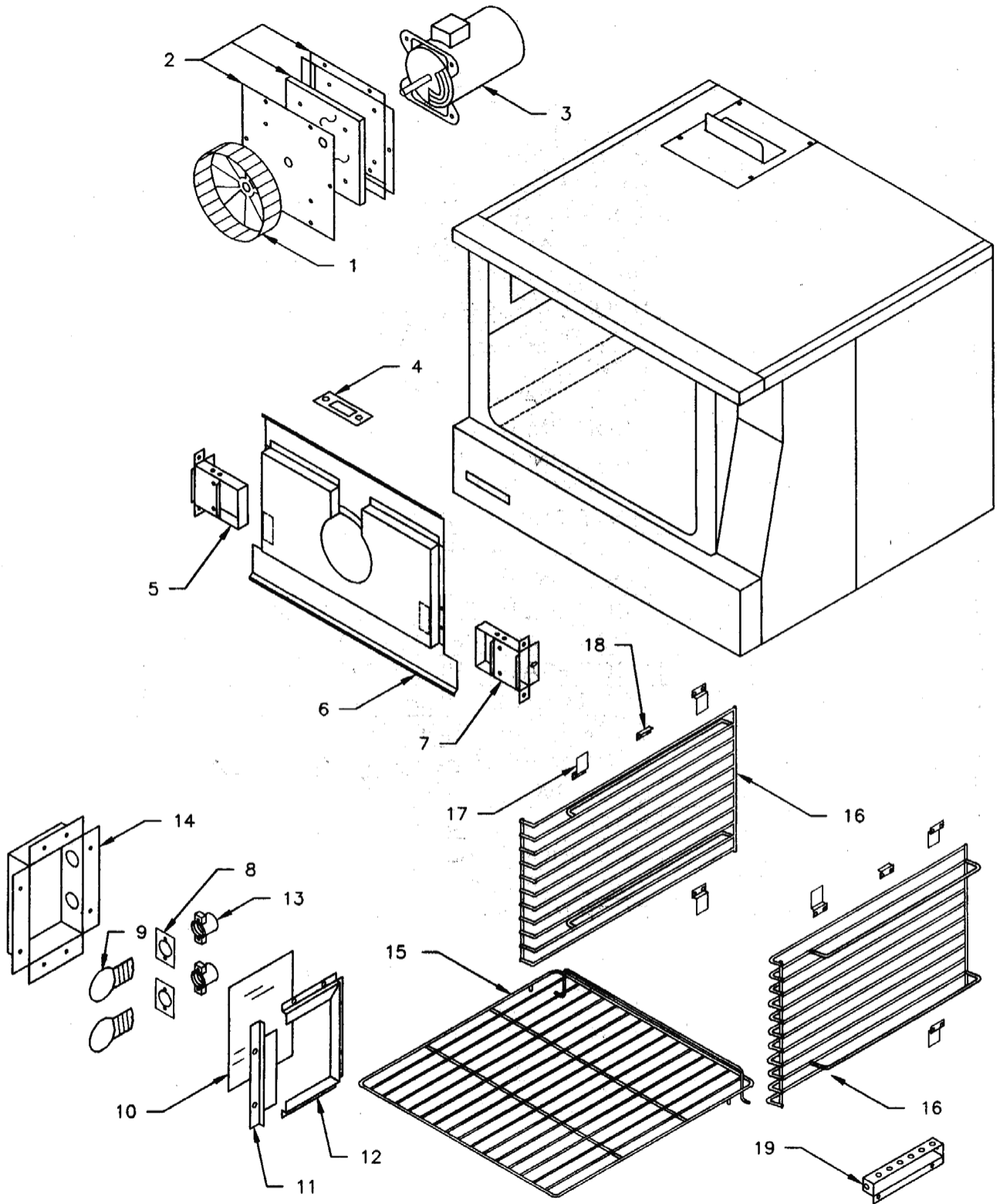
ITEM	PART #	DESCRIPTION	QUANTITY	DATE	
				FROM	UP TO
1	1664802	Door Handle	2		
2	1562604	Handle End	2		
3	1562605	Handle End	2		
4	1803703	Left Door Panel With Window	1		
	1803704	Left Door Panel Solid	1		
5	8003406	Hex Head Mach Screw 1/4-20X1	4		
6	1810201	Door Catch	2		24-Apr-97
	1841201	Door Catch	2	24-Apr-97	
7	1757998	Roller Latch Assembly	2		
8	1010999	Window	2		
9	1803797	Door Frame -Left	1		
10	1803795	Door Liner - Left W/Window	1		
	1803796	Door Liner - Left Solid	1		
11	1302800	Bearing Retainer	2		
12	1010589	Hinge Brkt Assy W/Bearing	2		
13	1011201	Chrome Spacer	2		
14	1803794	Door Liner - Right - Solid	1		
	1803793	Door Liner - Right W/Window	1		
15	1803799	Door Frame - Right - Solid	1		
	1802798	Door Frame - Right W/Window	1		
16	1803708	Door Panel - Right - Solid	1		
	1803707	Door Panel - Right W/Window	1		
17	1019600	Door Switch	1		01-Mar-99
	1855601	Door Switch	1	01-Mar-99	
18	1805801	Door Switch Mtg. Brkt	1		
19	1679301	Bottom Door Seal	1		
20	1679303	Side Door Seal	2		
21	1679302	Top Door Seal	1		
22	1663201	Door Handle Back Plate	2		

#### Part Numbers for Door Assemblies

1893783	Left With Window Dependent			
1803786	Right Solid Dependent			
1803782	Left Solid Dependent			
1803787	Right With Window Dependent			

\* NOT ILLUSTRATED

**RECOMMENDED STOCK PARTS**



PS95-26 REV 0

## GARLAND PARTS IDENTIFICATION

### Oven Components

ITEM	PART #	DESCRIPTION	QUANTITY
1	1025302	Blower Wheel	1
2	1782198	Motor Mount Assembly	1
3	1686701	Motor - 2 Speed - 115 V	1
	1686703	Motor 1 Speed	1
	1686702	Motor 240V Export	1
4	1784301	Oven Vent Cap - 40K	1
	1784302	Oven Vent Cap - 60K	1
	1784303	Oven Vent Cap - 80K	1
5	1782599	Fan Cover Duct - Left	1
	1785999	Fan Duct Restrictor 40K	1
	1785998	Fan Duct Restrictor 60K	1
	1785997	Fan Duct Restrictor 80K	1
6	1892999	Fan Cover	1
7	1782598	Fan Cover Duct - Right	1
	1785999	Fan Duct Restrictor 40K	1
	1785998	Fan Duct Restrictor 60K	1
	1785997	Fan Duct Restrictor 80K	1
8	1025900	Light Socket Gasket	2
9	1623900	Light Bulb - 40W	2
10	1676901	Glass Duplate	1
11	1606801	Glass Frame - Left	1
12	1606802	Glass Frame - Right	1
13	1025800	Light Socket	2
14	1678701	Light Box	1
15	1607000	Master Oven Rack - Standard	5
	1607010	Master Oven Rack -Deep	5
16	1607001	Rack Guide - Standard	5
	1704502	Rack Guide - Deep	2
17	1676801	Rack Guide Clip	6
18	1317601	Rack Guide Hold Down Bracket	2
19	1800801	Bulb Shield - Elec Controls	1
*	1015799	Capillary Tube Guard - Manual	1
*	1809699	Oven Light Patch -Porcelain Used To Cover Light Box Opening For Units With NO Interior Lights	

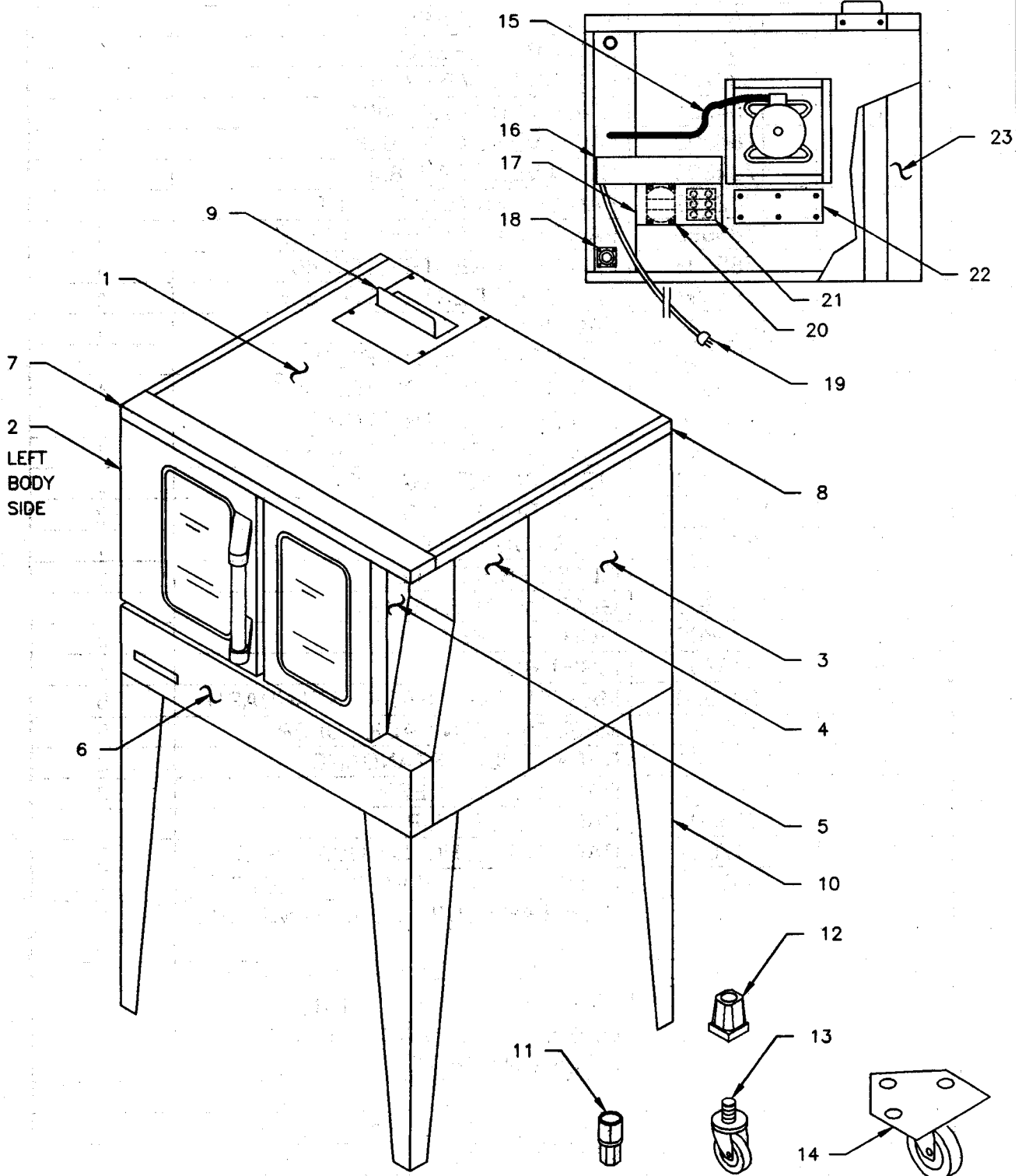
#### Motor Assemblies - Items 1, 2 And 3

CK1003090	2 Speed, 115 V	
CK1003091	2 Speed, 208/240 V Export	
CK1003092	1 Speed	

\* NOT ILLUSTRATED

**RECOMMENDED STOCK PARTS**

REAR VIEW



PS95-27 REV 0



## GARLAND PARTS IDENTIFICATION

### Oven Components

ITEM	PART #	DESCRIPTION	QUANTITY
1	1802801	Main Top - Black	1
	1802802	Main Top - SS	1
2	1785404	Body Side Left - Black	1
	1785402	Body Side Left - SS	1
3	1785403	Body Side Right - Black	1
	1785401	Body Side Right - SS	1
4	1785398	Control Panel Side -RT- Black	1
	1785399	Control Panel Side - RT - SS	1
5	1802701	Control Panel Left - SS	1
6	1807201	Compustion Chamber - SS	1
7	1802201	Trim Cap Veneer	1
8	1829101	Main Top Side Trim	2
9	1818201	Oven Vent Plate - STD	1
	1818203	Oven Vent Plate - Deep	1
10	1805299	Leg - Single Deck - Black	4
	1805298	Leg - Single Deck - SS	4
	1805399	Leg - Double Deck - Black	4
	1805398	Leg - Double Deck - SS	4
11	1236100	Square Foot Insert	4
12	1775102	Caster Insert - Single Deck	4
13	1027500	Caster - Single Deck	2
	1027501	Caster W/Brake - Single Deck	2
14	1821599	Caster W/Brake - Double Deck	2
	1821598	Caster - Double Deck	2
	1821597	Lo Profile Caster W/Brake - Double Deck	2
	1821596	Lo Profile Caster - Double Deck	2
15	1029426	BX Cable 3/8-26" Long	1
16	1823001	Element Raceway (Export)	1
17	1827901	Transformer Shield (Export)	1
18	1032504	Knockout Plate - Black	1
19	1029501	8' Power Supply Cord	1
20	1030801	Transformer 240-115 (Export)	1
21	1193900	Terminal Black (Export)	1
22	1809201	Element Patch	1
23	1820302	Main Back - Black - Standard	1
	1820304	Main Back - Black - Deep	1
	1820301	Main Back - SS - Standard	1
	1820303	Main Back - SS Deep	1

\* NOT ILLUSTRATED

#### ***RECOMMENDED STOCK PARTS***

# GARLAND PARTS IDENTIFICATION

## Revision History

REV. #	PAGE #	ITEM #	NOTE	DATE
1	3		Entire Book Reformatted	Feb 3/04

# ***NOTES***

 **GARLAND**<sup>®</sup>